

## 100Gb/s QSFP28 CPRI CLR4 10km Optical Transceiver

TR-FC13X-R00

### Product Specification

*Preliminary*

#### Features

- QSFP28 MSA compliant
- Compliant to 100G CLR4 Rev1.5.2 and WDM4-10 SPEC
- Four CWDM lanes MUX/DEMUX design
- Supports CPRI application, 24.33Gbps per channel
- Supports up to 25.78Gbps per lane for Ethernet application
- Up to 2km transmission on single mode fiber (SMF) without FEC
- Up to 10km transmission on single mode fiber (SMF) with FEC
- Operating case temperature: -20 to 85°C
- 4x25G electrical interface (OIF CEI-28G-VSR)



#### Applications

- Wireless CPRI 7
- 100G Ethernet Links
- Data Center Interconnect

#### Part Number Ordering Information

TR-FC13X-R00	QSFP28 CPRI CLR4 10km optical transceiver with full real-time digital diagnostic monitoring and pull tab
--------------	--

## 1. General Description

This product is a transceiver module designed for 2km without FEC and 10km with FEC optical communication applications. The design is compliant to 100GBASE-CLR4 non-FEC standard and WDM4-10 standard. The module converts 4 inputs channels (ch) of 25Gb/s electrical data to 4 CWDM optical signals, and multiplexes them into a single channel for 100Gb/s optical transmission. Reversely, on the receiver side, the module optically de-multiplexes a 100Gb/s input into 4 CWDM channels signals, and converts them to 4 channel output electrical data.

The central wavelengths of the 4 CWDM channels are 1271, 1291, 1311 and 1331 nm as members of the CWDM wavelength grid defined in ITU-T G.694.2. It contains a duplex LC connector for the optical interface and a 38-pin connector for the electrical interface. To minimize the optical dispersion in the long-haul system, single-mode fiber (SMF) has to be applied in this module.

The product is designed with form factor, optical/electrical connection and digital diagnostic interface according to the QSFP28 Multi-Source Agreement (MSA). It has been designed to meet the harshest external operating conditions including temperature, humidity and EMI interference.

## 2. Functional Description

This product converts the 4-channel 100Gb/s electrical input data into CWDM optical signals (light), by a driven 4-wavelength Distributed Feedback Laser (DFB) array. The light is combined by the MUX parts as a 100Gb/s data, propagating out of the transmitter module from the SMF. The receiver module accepts the 100Gb/s CWDM optical signals input, and de-multiplexes it into 4 individual 25Gb/s channels with different wavelength. Each wavelength light is collected by a discrete photo diode, and then outputted as electric data after amplified by a TIA and a post amplifier. Figure 1 shows the functional block diagram of this product.

A single +3.3V power supply is required to power up this product. Both power supply pins VccTx and VccRx are internally connected and should be applied concurrently. As per MSA specifications the module offers 7 low speed hardware control pins (including the 2-wire serial interface): ModSelL, SCL, SDA, ResetL, LPMode, ModPrsL and IntL.

Module Select (ModSelL) is an input pin. When held low by the host, this product responds to 2-wire serial communication commands. The ModSelL allows the use of this product on a single 2-wire interface bus – individual ModSelL lines must be used.

Serial Clock (SCL) and Serial Data (SDA) are required for the 2-wire serial bus

communication interface and enable the host to access the QSFP+ memory map.

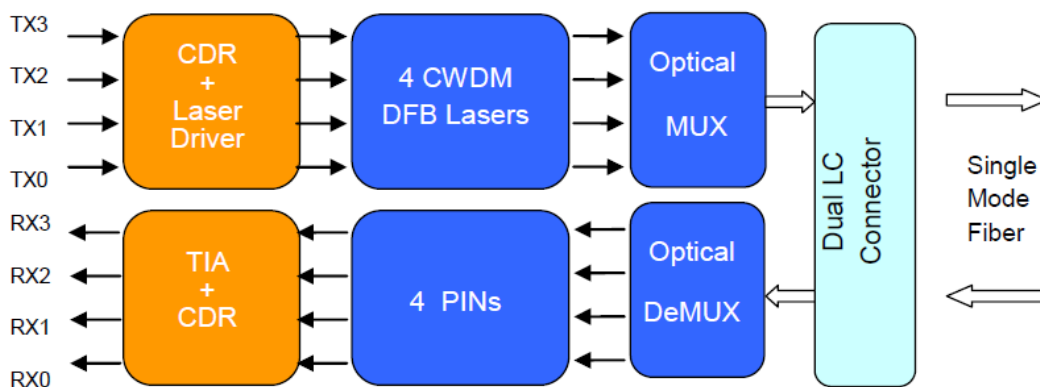
The ResetL pin enables a complete reset, returning the settings to their default state, when a low level on the ResetL pin is held for longer than the minimum pulse length. During the execution of a reset the host shall disregard all status bits until it indicates a completion of the reset interrupt. The product indicates this by posting an IntL (Interrupt) signal with the Data\_Not\_Ready bit negated in the memory map. Note that on power up (including hot insertion) the module should post this completion of reset interrupt without requiring a reset.

Low Power Mode (LPMode) pin is used to set the maximum power consumption for the product in order to protect hosts that are not capable of cooling higher power modules, should such modules be accidentally inserted.

Module Present (ModPrsL) is a signal local to the host board which, in the absence of a product, is normally pulled up to the host Vcc. When the product is inserted into the connector, it completes the path to ground through a resistor on the host board and asserts the signal. ModPrsL then indicates its present by setting ModPrsL to a "Low" state.

Interrupt (IntL) is an output pin. "Low" indicates a possible operational fault or a status critical to the host system. The host identifies the source of the interrupt using the 2-wire serial interface. The IntL pin is an open collector output and must be pulled to the Host Vcc voltage on the Host board.

### 3. Transceiver Block Diagram



**Figure 1. Transceiver Block Diagram**

#### 4. Pin Assignment and Description

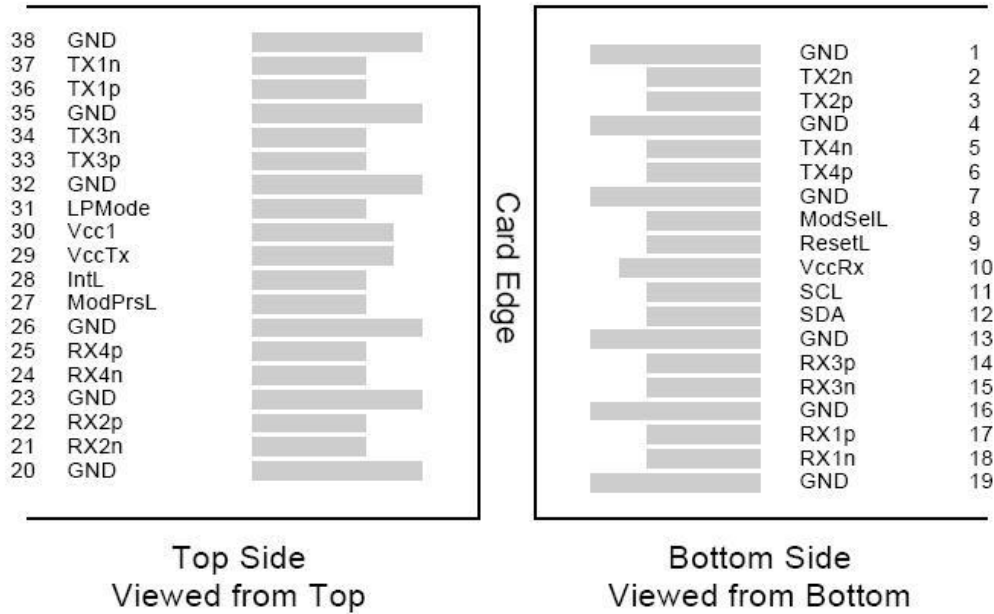


Figure 2. MSA compliant Connector

#### Pin Definition

PIN	Logic	Symbol	Name/Description	Notes
1		GND	Ground	1
2	CML-I	Tx2n	Transmitter Inverted Data Input	
3	CML-I	Tx2p	Transmitter Non-Inverted Data output	
4		GND	Ground	1
5	CML-I	Tx4n	Transmitter Inverted Data Input	
6	CML-I	Tx4p	Transmitter Non-Inverted Data output	
7		GND	Ground	1
8	LVTLL-I	ModSelL	Module Select	
9	LVTLL-I	ResetL	Module Reset	
10		VccRx	+3.3V Power Supply Receiver	2
11	LVTLL-I/O	SCL	2-Wire Serial Interface Clock	
12	LVTLL-I/O	SDA	2-Wire Serial Interface Data	
13		GND	Ground	

14	CML-O	Rx3p	Receiver Non-Inverted Data Output	
15	CML-O	Rx3n	Receiver Inverted Data Output	
16		GND	Ground	1
17	CML-O	Rx1p	Receiver Non-Inverted Data Output	
18	CML-O	Rx1n	Receiver Inverted Data Output	
19		GND	Ground	1
20		GND	Ground	1
21	CML-O	Rx2n	Receiver Inverted Data Output	
22	CML-O	Rx2p	Receiver Non-Inverted Data Output	
23		GND	Ground	1
24	CML-O	Rx4n	Receiver Inverted Data Output	1
25	CML-O	Rx4p	Receiver Non-Inverted Data Output	
26		GND	Ground	1
27	LVTTL-O	ModPrsL	Module Present	
28	LVTTL-O	IntL	Interrupt	
29		VccTx	+3.3 V Power Supply transmitter	2
30		Vcc1	+3.3 V Power Supply	2
31	LVTTL-I	LPMODE	Low Power Mode	
32		GND	Ground	1
33	CML-I	Tx3p	Transmitter Non-Inverted Data Input	
34	CML-I	Tx3n	Transmitter Inverted Data Output	
35		GND	Ground	1
36	CML-I	Tx1p	Transmitter Non-Inverted Data Input	
37	CML-I	Tx1n	Transmitter Inverted Data Output	
38		GND	Ground	1

Notes:

1. GND is the symbol for signal and supply (power) common for QSFP28 modules. All are common within the QSFP28 module and all module voltages are referenced to this potential unless otherwise noted. Connect these directly to the host board signal common ground plane.
2. VccRx, Vcc1 and VccTx are the receiving and transmission power suppliers and shall be applied concurrently. Recommended host board power supply filtering is

shown in Figure 3 below. Vcc Rx, Vcc1 and Vcc Tx may be internally connected within the QSFP28 transceiver module in any combination. The connector pins are each rated for a maximum current of 1000mA.

### 5. Recommended Power Supply Filter

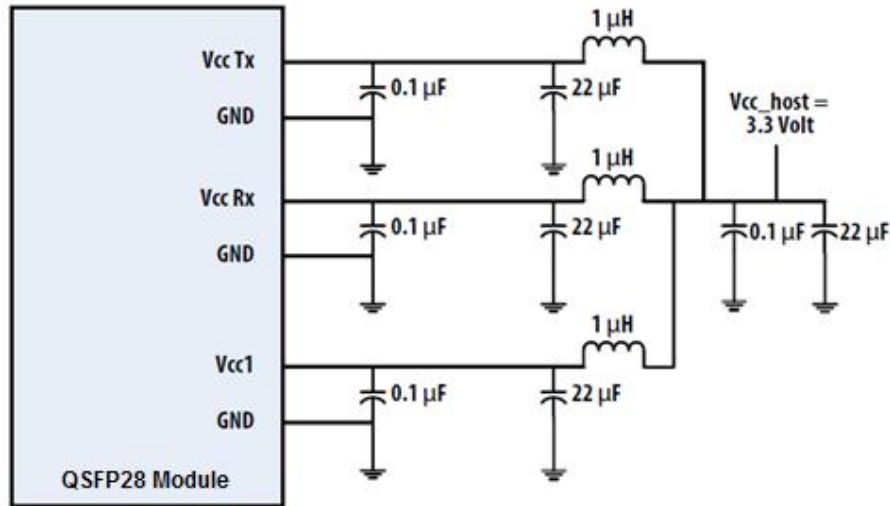


Figure 3. Recommended Power Supply Filter

### 6. Absolute Maximum Ratings

It has to be noted that the operation in excess of any individual absolute maximum ratings might cause permanent damage to this module.

Parameter	Symbol	Min	Max	Units	Notes
Storage Temperature	T <sub>S</sub>	-40	85	degC	
Operating Case Temperature	T <sub>OP</sub>	-20	85	degC	
Power Supply Voltage	V <sub>CC</sub>	-0.5	3.6	V	
Relative Humidity (non-condensation)	RH	0	85	%	
Damage Threshold, each Lane	TH <sub>d</sub>	3.5		dBm	

## 7. Recommended Operating Conditions and Power Supply Requirements

Parameter	Symbol	Min	Typical	Max	Units
Operating Case Temperature	T <sub>OP</sub>	-20		85	degC
Power Supply Voltage	V <sub>CC</sub>	3.135	3.3	3.465	V
Data Rate, each Lane			24.33024 25.78125		Gb/s
Data Rate Accuracy		-100		100	ppm
Control Input Voltage High		2		V <sub>CC</sub>	V
Control Input Voltage Low		0		0.8	V
Link Distance with G.652 (without FEC)	D1			2	km
Link Distance with G.652 (with FEC)	D2			10	km

## 8. Electrical Characteristics

Parameter	Test Point	Min	Typical	Max	Units	Notes
Power Consumption				4.5	W	1
Supply Current	I <sub>CC</sub>			1.363	A	
<b>Transmitter (each Lane)</b>						
Overload Differential Voltage pk-pk	TP1a	900			mV	
Common Mode Voltage (V <sub>cm</sub> )	TP1	-350		2850	mV	2
Differential Termination Resistance Mismatch	TP1			10	%	At 1MHz
Differential Return Loss (SDD11)	TP1			See CEI-28G-VSR Equation 13-19	dB	
Common Mode to Differential conversion and Differential to Common Mode conversion (SDC11, SCD11)	TP1			See CEI-28G-VSR Equation 13-20	dB	

Stressed Input Test	TP1a	See CEI-28G-VSR Section 13.3.11.2.1				
Receiver (each Lane)						
Differential Voltage, pk-pk	TP4			900	mV	
Common Mode Voltage (Vcm)	TP4	-350		2850	mV	2
Common Mode Noise, RMS	TP4			17.5	mV	
Differential Termination Resistance Mismatch	TP4			10	%	At 1MHz
Differential Return Loss (SDD22)	TP4			See CEI-28G-VSR Equation 13-19	dB	
Common Mode to Differential conversion and Differential to Common Mode conversion (SDC22, SCD22)	TP4			See CEI-28G-VSR Equation 13-21	dB	
Common Mode Return Loss (SCC22)	TP4			-2	dB	3
Transition Time, 20 to 80%	TP4	9.5			ps	
Vertical Eye Closure (VEC)	TP4			5.5	dB	
Eye Width at 10 <sup>-15</sup> probability (EW15)	TP4	0.57			UI	
Eye Height at 10 <sup>-15</sup> probability (EH15)	TP4	228			mV	

Notes:

1. For operating temperature range of 0C to 70C the power consumption can be lower than 4W, and for the extended operating temperature range of -20C to 85C the power consumption can be as high as 4.5W.
2. Vcm is generated by the host. Specification includes effects of ground offset voltage.
3. From 250MHz to 30GHz.



### 9. Optical Characteristics for 2km without FEC

Parameter	Symbol	Min	Typical	Max	Units	Notes
Wavelength Assignment	L0	1264.5	1271	1277.5	nm	
	L1	1284.5	1291	1297.5	nm	
	L2	1304.5	1311	1317.5	nm	
	L3	1324.5	1331	1337.5	nm	
<b>Transmitter</b>						
Side Mode Suppression Ratio	SMSR	30			dB	
Launch Power in OMA minus Transmitter and Dispersion Penalty (TDP), each Lane		-5			dBm	
Total Average Launch Power	$P_T$			8.5	dBm	
Average Launch Power, each Lane	$P_{AVG}$	-6.5		2.5	dBm	
Optical Modulation Amplitude (OMA), each Lane	$P_{OMA}$	-4		2.5	dBm	1
Difference in launch power between any two lanes(OMA)				6	dBm	
TDP, each Lane	TDP			3.3	dB	
Average Launch Power OFF Transmitter, each Lane	$P_{off}$			-30	dBm	
Extinction Ratio	ER	3.5			dB	
$RIN_{20OMA}$	RIN			-130	dB/Hz	
Optical Return Loss Tolerance	TOL			20	dB	
Transmitter Reflectance	$R_T$			-20	dB	
Transmitter Eye Mask Definition {X1, X2, X3, Y1, Y2, Y3}		{0.25, 0.42, 0.46, 0.28, 0.3, 0.4}				2
Mask margin		5			%	2

Receiver						
Damage Threshold, each Lane	TH <sub>d</sub>	3.5			dBm	3
Average Receive Power, each Lane		-10		2.5	dBm	
Receive Power (OMA), each Lane				2.5	dBm	
Difference in Receive Power between any Two Lanes (OMA)				5.5	dB	
Receiver Reflectance	R <sub>R</sub>			-26	dB	
Receiver Sensitivity (OMA), each Lane	SEN1			-8.1	dBm	4
Stressed Receiver Sensitivity (OMA), each Lane				-5.6	dBm	4, 5
Over load , each Lane		2.5			dBm	
LOS Assert	LOSA	-30			dBm	
LOS Deassert	LOSD			-13	dBm	
LOS Hysteresis	LOSH	0.5			dB	
Conditions of Stress Receiver Sensitivity Test (Note 6)						
Vertical Eye Closure Penalty, each Lane			1.95		dB	
Stressed Eye J2 Jitter, each Lane			0.3		UI	
Stressed Eye J9 Jitter, each Lane			0.5		UI	

Notes:

1. Even if the TDP < 1.0 dB, the OMA min must exceed the minimum value specified here.
2. Hit ratio 1x10<sup>-12</sup>.

3. The receiver shall be able to tolerate, without damage, continuous exposure to a modulated optical input signal having this power level on one lane. The receiver does not have to operate correctly at this input power.
4. Measured with conformance test signal for BER =  $1 \times 10^{-12}$ .
5. Test condition refer the standard of IEEE 802.3 ba Table 88-8
6. Vertical eye closure penalty, stressed eye J2 jitter, and stressed eye J9 jitter are test conditions for measuring stressed receiver sensitivity. They are not characteristics of the receiver.

### 10. Optical Characteristics for 10km with FEC

Parameter	Symbol	Min	Typical	Max	Units	Notes
Wavelength Assignment	L0	1264.5	1271	1277.5	nm	
	L1	1284.5	1291	1297.5	nm	
	L2	1304.5	1311	1317.5	nm	
	L3	1324.5	1331	1337.5	nm	
<b>Transmitter</b>						
Side Mode Suppression Ratio	SMSR	30			dB	
Launch Power in OMA minus Transmitter and Dispersion Penalty (TDP), each Lane		-5			dBm	
Total Average Launch Power	P <sub>T</sub>			10.5	dBm	
Average Launch Power, each Lane	P <sub>AVG</sub>	-5.0		2.5	dBm	
Optical Modulation Amplitude (OMA), each Lane	P <sub>OMA</sub>	-4		2.5	dBm	1
Difference in launch power between any two lanes(OMA)				6	dBm	
TDP, each Lane	TDP			3	dB	
Average Launch Power OFF Transmitter, each Lane	P <sub>off</sub>			-30	dBm	
Extinction Ratio	ER	3.5			dB	
RIN <sub>20OMA</sub>	RIN			-130	dB/Hz	

Optical Return Loss Tolerance	TOL			20	dB	
Transmitter Reflectance	R <sub>T</sub>			-20	dB	
Transmitter Eye Mask Definition {X1, X2, X3, Y1, Y2, Y3}		{0.31, 0.4, 0.45, 0.34, 0.38, 0.4}				2
Mask margin		5			%	2
<b>Receiver</b>						
Damage Threshold, each Lane	TH <sub>d</sub>	3.5			dBm	3
Average Receive Power, each Lane		-13		2.5	dBm	
Receive Power (OMA), each Lane				2.5	dBm	
Difference in Receive Power between any Two Lanes (OMA)				5.5	dB	
Receiver Reflectance	R <sub>R</sub>			-26	dB	
Receiver Sensitivity (OMA), each Lane	SEN			-11.5	dBm	4
Stressed Receiver Sensitivity (OMA), each Lane				-9.1	dBm	4, 5
Over load , each Lane		2.5			dBm	
LOS Assert	LOSA	-30			dBm	
LOS Deassert	LOSD			-13	dBm	
LOS Hysteresis	LOSH	0.5			dB	
<b>Conditions of Stress Receiver Sensitivity Test (Note 6)</b>						
Vertical Eye Closure Penalty, each Lane			1.9		dB	

Stressed Eye J2 Jitter, each Lane			0.33		UI	
Stressed Eye J9 Jitter, each Lane			0.48		UI	
Transmitter Eye Mask Definition {X1, X2, X3, Y1, Y2, Y3}		{0.39, 0.5, 0.5, 0.39, 0.39, 0.4}				

Notes:

1. Even if the TDP < 1.0 dB, the OMA min must exceed the minimum value specified here.
2. Hit ratio  $5 \times 10^{-5}$ .
3. The receiver shall be able to tolerate, without damage, continuous exposure to a modulated optical input signal having this power level on one lane. The receiver does not have to operate correctly at this input power.
4. Measured with conformance test signal for BER =  $5 \times 10^{-5}$ .
5. Test condition refer the standard of IEEE 802.3 ba Table 88-8.
6. Vertical eye closure penalty, stressed eye J2 jitter, and stressed eye J9 jitter are test conditions for measuring stressed receiver sensitivity. They are not characteristics of the receiver.

## 11. Digital Diagnostic Functions

The following digital diagnostic characteristics are defined over the normal operating conditions unless otherwise specified.

Parameter	Symbol	Min	Max	Units	Notes
Temperature monitor absolute error	DMI_Temp	-3	3	degC	Over operating temperature range
Supply voltage monitor absolute error	DMI_VCC	-0.1	0.1	V	Over full operating range
Channel RX power monitor absolute error	DMI_RX_Ch	-2	2	dB	1
Channel Bias current monitor	DMI_Ibias_Ch	-10%	10%	mA	
Channel TX power monitor absolute error	DMI_TX_Ch	-2	2	dB	1

Notes:

1. Due to measurement accuracy of different single mode fibers, there could be an additional +/- 1 dB fluctuation, or a +/- 3 dB total accuracy.

## 12. Mechanical Dimensions

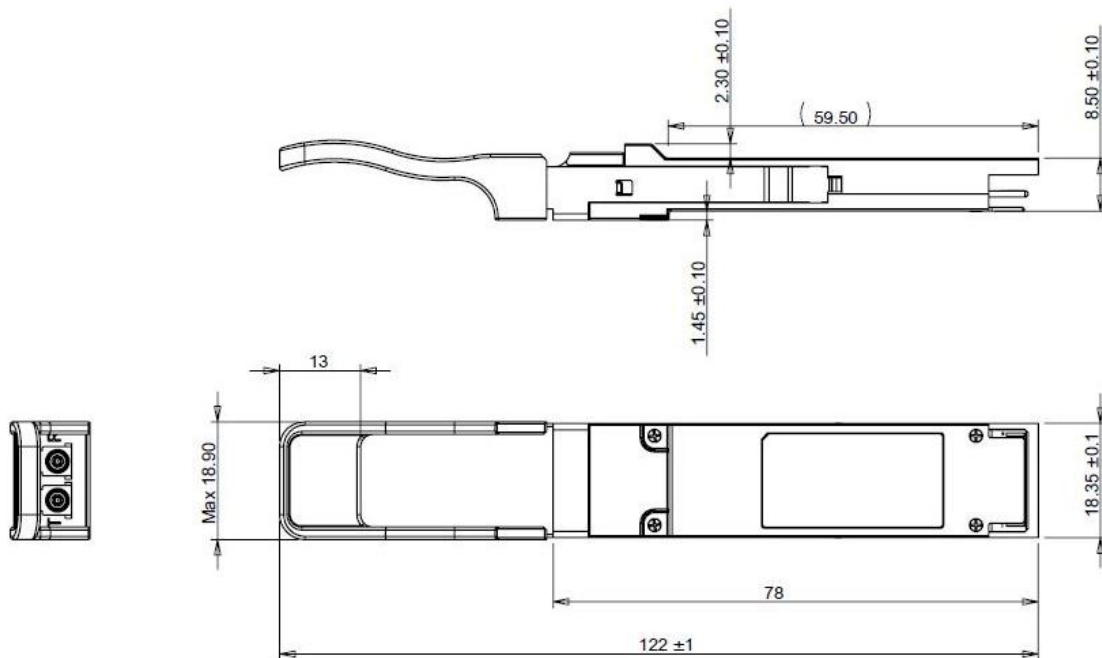


Figure 4. Mechanical Outline

### **13. ESD**

This transceiver is specified as ESD threshold 1kV for high speed data pins and 2kV for all other electrical input pins, tested per MIL-STD-883, Method 3015.4 /JESD22-A114-A (HBM). However, normal ESD precautions are still required during the handling of this module. This transceiver is shipped in ESD protective packaging. It should be removed from the packaging and handled only in an ESD protected environment.

### **14. Laser Safety**

This is a Class 1 Laser Product according to EN 60825-1:2014. This product complies with 21 CFR 1040.10 and 1040.11 except for deviations pursuant to Laser Notice No. 50, dated (June 24, 2007).

Caution: Use of controls or adjustments or performance of procedures other than those specified herein may result in hazardous radiation exposure.

#### **Contact Information**

<b>VITEX, LLC</b>
210 Sylvan Avenue, Suite 25 Englewood Cliffs, NJ 07632 USA Ph: 201-296-0145 Email: <a href="mailto:info@vitextech.com">info@vitextech.com</a> <a href="http://www.vitextech.com">www.vitextech.com</a>