

25G SFP28 DAC

Part Number: LBX-DS025Pyyy

LBX-DS025Pyyy is a high performance passive SFP28 DAC for 25 Gigabit Ethernet data links.

Features

- Up to 25Gb/s data rate
- Operating case temperature of 0~70°C
- Single 3.3V supply voltage
- BER better than 10^{-15}
- Hot pluggable
- RoHS 6 compliant
- Supports IEEE 802.3
- SFF-8402 compliant
- Tested in an end-to end system

Applications

- 25G Ethernet
- High capacity I/O in Storage Area Networks, Network Attached Storage, and Storage Servers
- Switched fabric I/O such as ultra-high bandwidth switches and routers
- Data center cabling infrastructure
- High density connections between networking equipment

Ordering Information

Part Number	Link Length
LBX-DS025Pyyy	up to 5m
yyy=0P5	0.5m
yyy=001	1m
yyy=005	5m
yyy stands for length in meters	

Product Overview

Vitex **LBX-DS025Pyyy**, SFP28 passive cable assembly is a high performance I/O solution for 25G Ethernet applications.

Absolute Maximum Ratings

Parameter	Symbol	Min	Max	Unit
Storage Temperature	T _{STG}	-40	85	°C

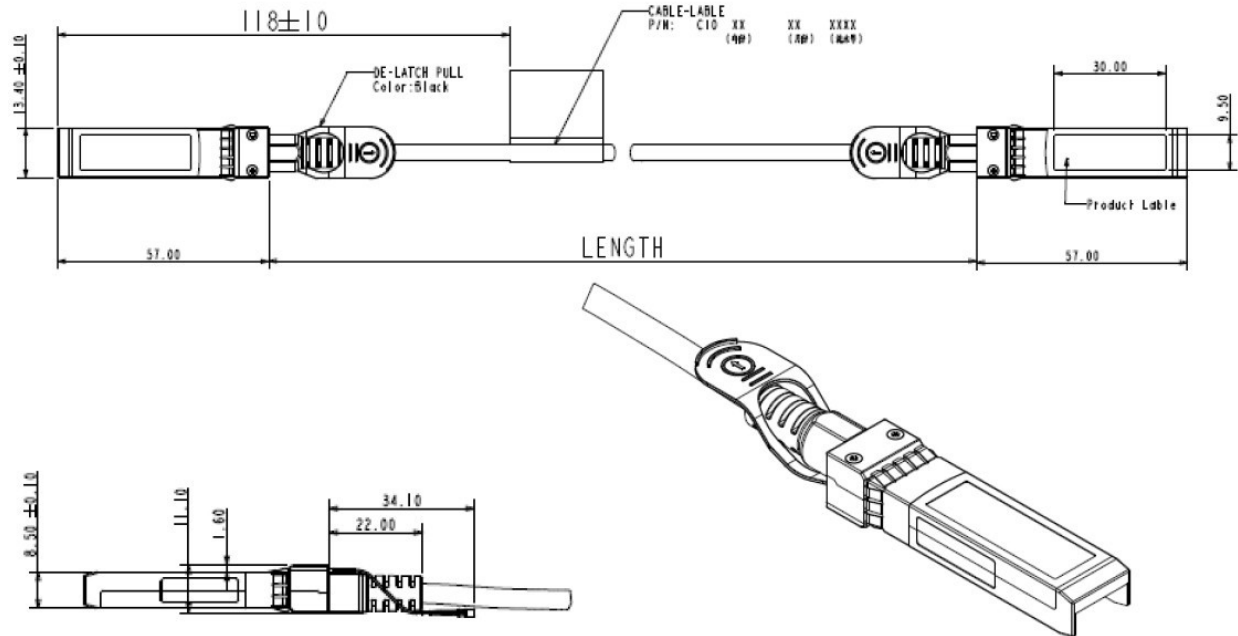
Recommended Operating Conditions

Parameter	Symbol	Min	Typical	Max	Unit
Operating Case Temperature	T _{OP}	0		70	°C
Power Supply Voltage	V _{CC}	3.14	3.3	3.47	V

Electrical Specifications

Parameter	Min	Typical	Max	Unit
Characteristic Impedance	90	100	110	Ω
Time Delay	-	-	4.5	ns/m

Mechanical Dimensions



ALL DIMENSIONS ARE ± 0.2 mm UNLESS OTHERWISE SPECIFIED
UNIT: mm

Contact Information

Vitex LLC

210 Sylvan Ave, Suite 25
Englewood Cliffs, NJ 07632
201-296-0145 | info@vitextech.com