

HDMI Extender

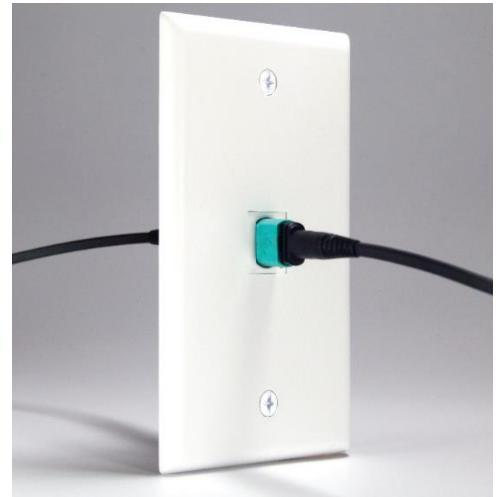
LH0-201-TR

LightBolt Fiber Optic HDMI supports HDMI 2.0 connections to offer stunning picture clarity, detail and color depth. The full kit consists of two 6' connector cables with HDMI transmitting (TX) connector at one end and an HDMI receiving (Rx) connector at the other coupled to the ends of a LightBolt Fiber Optic (FO) cable.

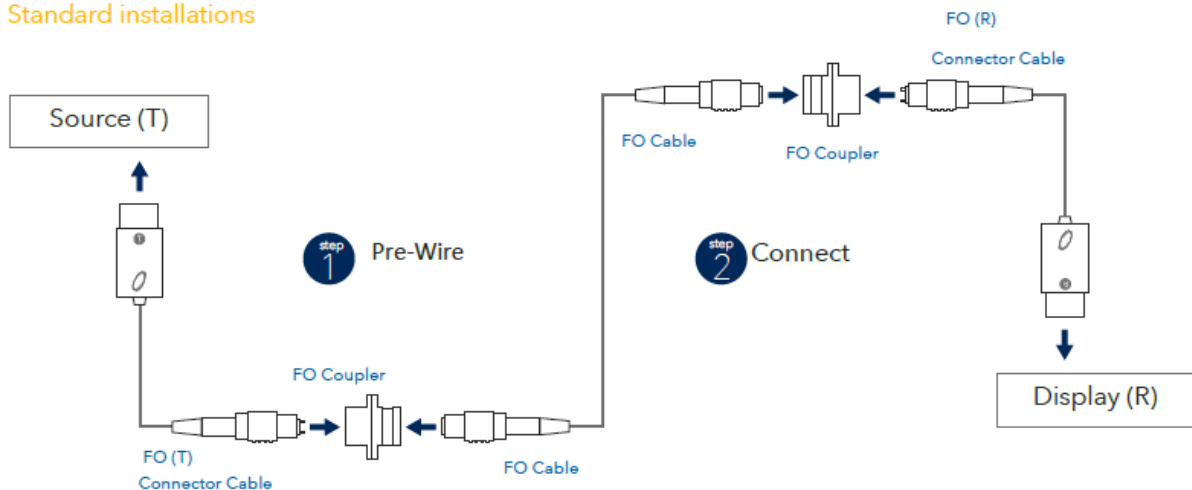


Features

- HDMI 2.0
- Reach up to 1000 feet
- Full fiber connection
- Pre-wire and connect – No splicing or fiber terminations required
- Locking couplers ensure correct optical alignment
- Protective caps
- Plenum rated FO Cable
- Optional keystone wall plate

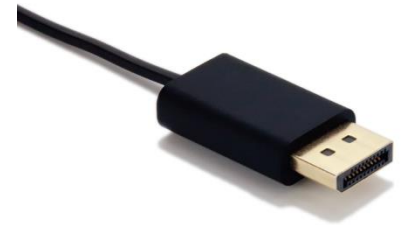
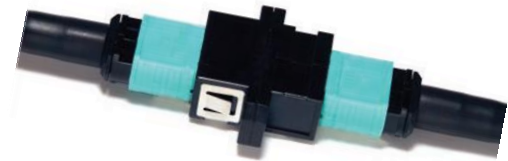


Standard installations



Specifications

Data rate	up to 18 Gbps
Resolution	up to 4K@60Hz Ultra-HD Chroma sampling rate up to 4:4:4
Supported features	HDMI High Speed HDR HDCP v2.2 EDID CEC BT.2020 Deep Color
Audio Return Channel	Yes
LED status indicator	at TX & RX HDMI connectors Powered LED verifies connectivity
Power	TX: 0.5W RX: 0.5W; 5V DC
Temperature / Humidity	-04°F - 158°F (-20°C - 70°C) / 0% - 90% RH
Cable Jacket	Plenum rated
Fiber optic cable pull strength	60 pounds
Bend radius	0.20" / 5mm
HDMI connector dimension	0.33" x 0.66" x 0.96" / 8.5 x 16.7 x 24.5 mm
Fiber optic connector dimension	0.31" x 0.51" x 1.77" / 8.2 x 12.9 x 1.77 mm



5V Power

HDMI source components (TX) supply 5V power. If the source component does not provide enough power, a hardwired USB power cable is included to draw power externally. At the display (sink) location, the RX connector USB power cable must be connected to a 5V powered USB connector located on the display panel.



LightBolt MPO Cables

Optional LightBolt Fiber Optic MPO cables are available in standard lengths - 35', 40', 50', 60', 80', 100', 130', 160', 200', and 500'. Custom lengths are available by special order.

Part Number
FO-CABLE-xxP (where xx denotes length in feet) Eg: FO-CABLE-35P for 35 feet fiber optic MPO cable

Ordering Information

Part Number	Description
LH0-201-TR	HDMI extender, Transmitter and Receiver
LH0-201-TX	HDMI extender, Transmitter only
LH0-201-RX	HDMI extender, Receiver only