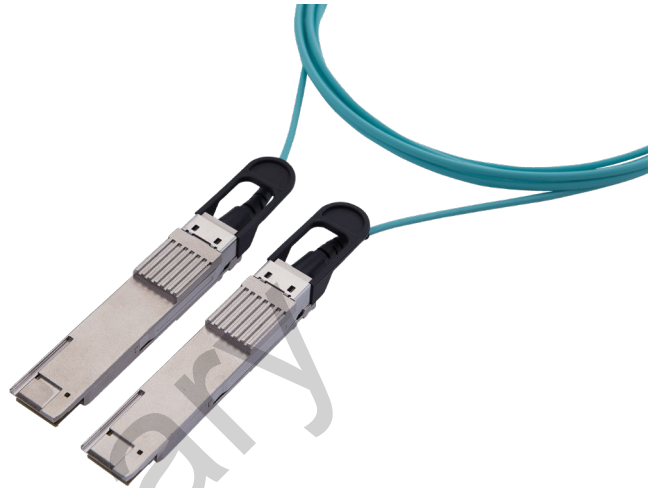


400G QSFP-DD Active Optical Cable

Key Features

- ❑ Low latency DSP-free electronics-based
- ❑ Data rate : 53.125 Gb/s per lane
- ❑ PAM4 modulation
- ❑ BER of 1×10^{-15} (with FEC)
- ❑ Single 3.3 V power supply
- ❑ Low power consumption : 7.2 W per cable end with all CDRs enabled
- ❑ Up to 100 m length
- ❑ QSFP-DD MSA compliant
- ❑ CMIS compliant
- ❑ Commercial operating case temperature range: 0 to 70°C
- ❑ Hot pluggable
- ❑ RoHS/REACH compliant
- ❑ LSZH, LSZH/OFNR or OFNP-rated cable



Applications

- ❑ IEEE 802.3cm 400GBASE SR8
- ❑ Datacenter : servers, switches, storages and NIC adapters

1. Absolute Maximum Ratings

Parameters	Symbol	Min.	Typ.	Max.	Units	Note
Supply Voltage	V_{IN}	0	-	4.0	V	
Input Swing	V_{IN-MAX}			1600	mVpp	
Storage Temperature	T_{STG}	-40	-	85	°C	Ambient
Relative Humidity	RH	5		85	%	

2. Operating Specifications

Parameters	Symbol	Min.	Typ.	Max.	Units	Note
Operating Case Temperature	T_{OP}	0	-	70	°C	
Power Supply Voltage	V_{CC}	3.13	3.30	3.47	V	
Power Supply Current	I_{CC}	-	2181	-	mA	
Power Consumption per Cable End		-	7.2		W	All channel CDRs are enabled

3. Cable

Parameter	Value	Unit	Note
Cable Diameter	$\varnothing 3.6 \pm 0.15$	mm	
Minimum Bend Radius	36	mm	
Length Tolerance	+300 / -0	mm	
Cable Jacket	LSZH, LSZH/OFNR or OFNP-rated, Aqua		

4. Ordering Information

Part Number	Description	Note
C8R88HG _Y xyzAZZ	QSFP-DD, AOC, xyz m, three digit number xyz for length in meter	

Note)

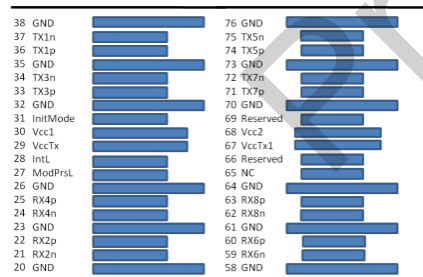
- The first digit A, B or C of the three digit numbers xyz denotes 0.25 m, 0.50 m and 0.75 m, respectively and can be used for the cable length no greater than 10 m.
- The maximum cable length is 100 m.
- The two digit numbers GY: GA, GB and GC for LSZH, LSZH/OFNR and OFNP, respectively.

Examples

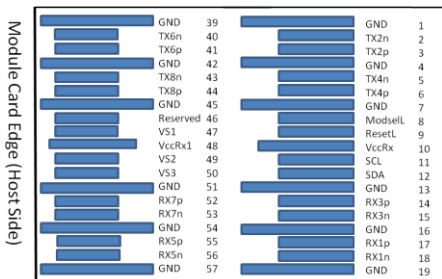
Part Number	Description
C8R88HGAB00AZZ	QSFP-DD, AOC, LSZH, 0.5 m
C8R88HGA09AZZ	QSFP-DD, AOC, OFNP, 9.25 m

5. Mechanical Specifications

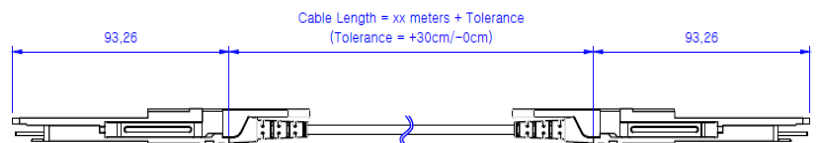
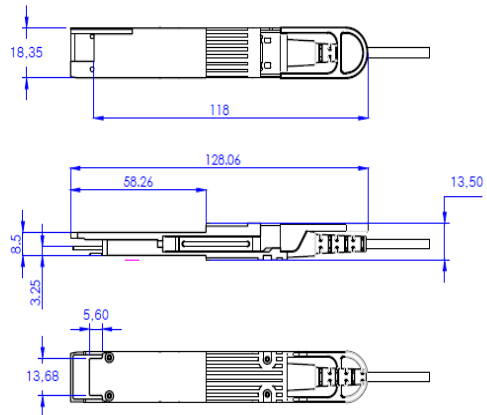
PAD Layout



Top side viewed from top



Bottom side viewed from bottom



US Sales Contact

Vitex LLC

210 Sylvan Ave, Suite 25, Englewood Cliffs, NJ 07632
 201-296-0145 | info@vitextech.com | www.vitextech.com