

10G SFP10 ZR Optical Transceiver

Part Number: VS-10ZR1CS-AA

VS-10ZR1CS-AA is a high performance SFP+ transceiver module for 10 Gigabit Ethernet data links over single-mode fiber.

Features

- Supports from 1.2Gb/s to 11.3Gb/s bit rates
- Compliant with IEEE 802.3ae 10GBASE-ZR
- Compliant with 10G FC
- Compliant with SFF-8431
- Hot-pluggable SFP+ footprint
- 1550nm EML laser transmitter and APD receiver
- Duplex LC connector
- Built-in digital diagnostic functions
- Up to 80km on SMF
- Single power supply 3.3V
- Low power consumption (Module work consumption <1.5W)
- RoHS Compliant
- Operating temperature range: 0°C to 70°C

Applications

- 10GBASE-ZR Ethernet
- 4x, 8x, and 10x Fiber Channel
- CPRI options 2 through 8
- OTN G.709 OTU1e/2/2e FEC bit rates

Ordering Information

Part Number	Data Rate	Link Length	Laser	Detector	Fiber Type	Temperature
VS-10ZR1CS-AA	10G	Up to 80km	1550nm EML	1550nm PIN ROSA	SMF	0 – 70°C

Product Overview

Vitex **VS-10ZR1CS-AA** (10GE SFP+) is a 10Gb/s transceiver module designed for optical communication applications compliant to 10GBASE-ZR Ethernet standard.

The product is based on 10G Ethernet IEEE 802.3ae standard and SFF-8431 standard, providing a fast and reliable interface for 10G Ethernet applications. The product implements digital diagnostics via a 2-wire serial bus, compliant with the SFF-8472 standard.

Absolute Maximum Ratings

Parameter	Symbol	Min	Max	Unit
Storage Temperature	T _S	-40	85	°C
Power Supply Voltage	V _{CC}	-0.5	4	V

Recommended Operating Conditions

Parameter	Symbol	Min	Typical	Max	Unit
Operating Case Temperature	T _C	0		70	°C
Power Supply Voltage	V _{CC}	3.14	3.3	3.46	V
Supply Current	I _{CC}		400	450	mA
Data Rate	DR	1.2	10.3125	11.3	Gb/s
Bit Error Rate	BER			10 ⁻¹²	

Electrical Specifications

Parameter	Symbol	Min	Typical	Max	Unit
Electrical Transmitter Characteristics					
Input differential impedance	R _{IN}		100		Ω
Differential data input swing	V _{IN PP}	120		850	mV
Transmit disable voltage	V _D	2		V _{CC}	V
Transmit enable voltage	V _{EN}	V _{EE}		V _{EE} +0.8	V
Electrical Receiver Characteristics					
Differential data output swing	V _{OUT PP}	300		850	mV
Data output rise/fall time (20%-80%)	t _r /t _f	28			ps
LOS Assert	V _{LOS A}	2		V _{CC HOST}	V
LOS De-Assert	V _{LOS D}	V _{EE}		V _{EE} +0.5	V

Optical – Transmitter

Parameter	Symbol	Min	Typical	Max	Unit
Output Optical Power ¹	P _{TX}	0		4	dBm
Optical Center Wavelength	λ _C	1530		1565	nm
Extinction Ratio	ER	9			dB
Spectral Width (RMS) (-20dB)	Δλ			0.6	nm
Side Mode Suppression Ratio	SMSR	30			dB
Relative Intensity Noise	RIN			-128	dB/Hz
Transmitter Dispersion Penalty	TDP			3.2	dB
Launch Power of OFF Transmitter ¹	P _{OUT_OFF}			-30	dBm

Note:

1) Average

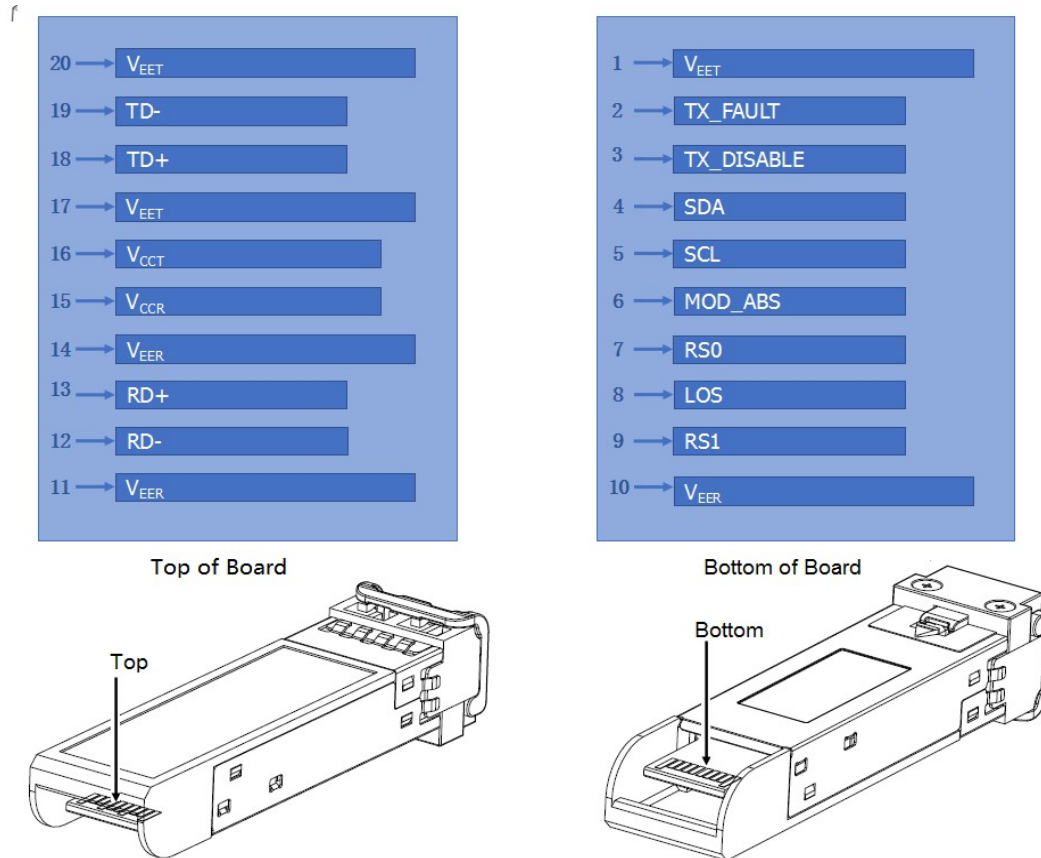
Optical – Receiver

Parameter	Symbol	Min	Typical	Max	Unit
Optical Center Wavelength	λ _C	1260		1600	nm
Average Receive Power	P _{RX}	-24		-7	dBm
Receiver Sensitivity (Average) @ 10.3Gb/s ¹	R _{X_AVE}			-24	dBm
Receiver Reflectance	TR _{RX}			-27	dB
LOS Assert	LOS _A	-35			dBm
LOS De-Assert	LOS _D			-27	dBm
LOS Hysteresis	LOS _H	0.5			dB

Note:

1) Measured with worst ER: BER<10⁻¹²; 2³¹-1 PRBS

Electrical Connector Layout



Electrical Pin Definition

Pin	Symbol	Name/Description
1	V _{EET}	Transmitter ground (common with receiver ground) ¹
2	TX_FAULT	Transmitter Fault
3	TX_DISABLE	Transmitter Disable. Laser output disabled on high or open ²
4	SDA	2-wire Serial Interface Data Line ³
5	SCL	2-wire Serial Interface Clock Line ³
6	MOD_ABS	Module Absent. Grounded within the module ³
7	RS0	No connection required
8	LOS	Loss of Signal indication. Logic 0 indicates normal operation ⁴
9	RS1	No connection required ¹
10	V _{EER}	Receiver ground (common with transmitter ground) ¹
11	V _{EER}	Receiver ground (common with transmitter ground) ¹
12	RD-	Receiver Inverted DATA out. AC coupled
13	RD+	Receiver Non-inverted DATA out. AC coupled

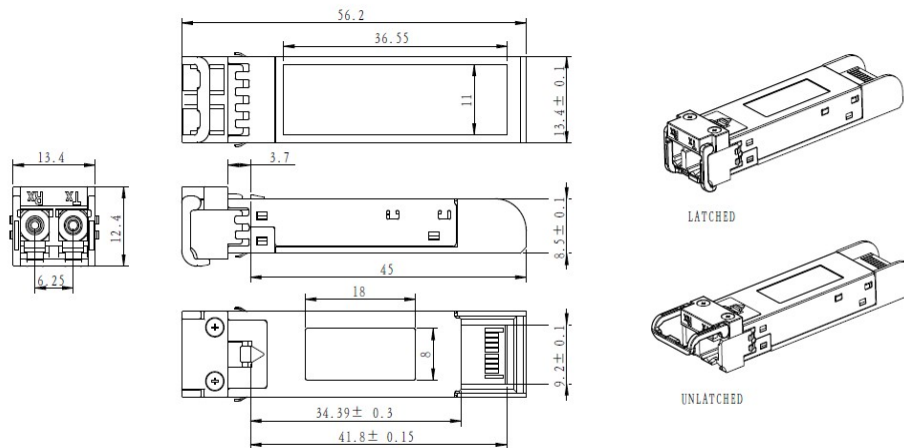
14	V _{EER}	Receiver ground (common with transmitter ground) ¹
15	V _{CCR}	Receiver power supply
16	V _{CCT}	Transmitter power supply
17	V _{EET}	Transmitter ground (common with receiver ground) ¹
18	TD+	Transmitter Non-Inverted DATA in. AC coupled
19	TD-	Transmitter Inverted DATA in. AC coupled
20	V _{EET}	Transmitter ground (common with receiver ground) ¹

Note:

- 1) Circuit ground is isolated from chassis ground
- 2) Disabled: T_{DIS}>2V or open, Enabled: T_{DIS}<0.8V
- 3) Should Be pulled up with 4.7k –10k ohm on host board to a voltage between 2V and 3.6V
- 4) LOS is open collector output

Mechanical Dimensions

Note: All units are in mm



ALL DIMENSIONS ARE ±0.2mm UNLESS OTHERWISE SPECIFIED

Contact Information

Vitex LLC
 210 Sylvan Ave, Suite 25
 Englewood Cliffs, NJ 07632
 201-296-0145 | info@vitextech.com
www.vitextech.com